



H10.00-12.00XM-12EC

Empty container handlers, 6 000 - 7 000 kg @ 1 220 mm

Durable truck design

The H10.00-12.00XM-12EC series offers an optimum combination of rugged lift truck design and new Hyster spreader, to meet the productivity and reliability demands of empty container handling.

In addition to featuring a wide axle (extra wide for the 4-high stacking model) for excellent stability, this series features as standard: Wet disc brakes with oil cooler, load sensitive power steering and an engine and transmission protection system, with engine shut-down. The transmission has a protective lock-out system, preventing shifting from forward to reverse while in 3rd gear.

Exceptional driver comfort

The spacious Hyster "Vista" cab features excellent all-round visibility thanks to the clever overhead guard design and a side-mounted multi-function dashboard.

A single warning light, positioned centrally on the steering column, alerts the driver to any required action or intervention. This allows the operator to give his full attention to the container-handling task, rather than having to constantly monitor the dashboard and thus improves productivity.

The cab features a fully adjustable suspension seat with seat-mounted armrests, fully adjustable steering column and a choice of proportional pilot operation joystick or lever controls, for improved driver comfort.

This cab also features an exceptionally low noise level at driver's ear to further prevent driver fatigue.

The following options are available to further enhance driver comfort:

The unique Hyster Monotrol pedal; air-conditioning with manual temperature control; air suspension seat; autoshift gear change system with forward/reverse shifting lock-out above a pre-determined speed.

A complete spreader

The dedicated Hyster 20'-40' side lift empty container handling spreader is suitable for 8' to 9'6" high and 2 440-2 500 mm wide ISO containers.

The new design is available with a choice of two engagement systems: Vertical twistlocks or suspended hooks.

The spreader features a unique mast over-lowering interrupt system, which prevents further lowering of the mast when the spreader is landed on a container. This is signalled by a blue warning light in the cab and serves to protect the spreader, the header hoses, header cable and lift chains. (Not applicable to 'Suspended Hooks' system).

A lift counter on the spreader enables the number of containers handled to be monitored (not applicable to 'Suspended Hooks' engagement system).

Ease of serviceability

Access to the primary systems, such as the electrics, is made easy thanks to the side tilting cab. The gull-wing hood concept provides unrivalled access to the engine.

H10.00XM-12EC, H12.00XM-12EC

		HYSTER		HYSTER			
CHARACTERISTICS	1.1	Manufacturer	H10.00XM-12EC		H12.00XM-12EC		1.1
	1.2	Model designation	Diesel		Diesel		1.2
	1.3	Power: battery, diesel, LPG, electric mains	Seat		Seat		1.3
	1.4	Operation: manual, pedestrian, stand, seat, orderpicker	6 000		7 000		1.4
	1.5	Load capacity ▲ Q (kg)	1 220		1 220		1.5
	1.6	Load centre c (mm)	1 070		1 070		1.6
	1.8	Load distance x (mm)	3 300		3 300		1.8
	1.9	Wheelbase y (mm)					1.9
	WEIGHT						
WEIGHT	2.1	Unladen weight, including front end	21 198		24 695		2.1
	2.2	Axle loading with load, front/rear	24 843	3 355	27 081	4 614	2.2
	2.3	Axle loading without load, front/rear	12 987	8 211	15 225	9 470	2.3
WHEELS & TYRES							
WHEELS & TYRES	3.1	Tyres: L=pneumatic, V=solid, SE=pneumatic-shaped solid	L		L		3.1
	3.2	Tyre size, front	12,00 x 20 / 16PR		12,00 x 20 / 16PR		3.2
	3.3	Tyre size, rear	12,00 x 20 / 16PR		12,00 x 20 / 16PR		3.3
	3.5	Number of wheels, front/rear (X = driven)	4X	2	4X	2	3.5
	3.6	Track width, front b ₁₀ (mm)	2 276		2 878		3.6
	3.7	Track width, rear b ₁₁ (mm)	2 000		2 000		3.7
	DIMENSIONS						
DIMENSIONS	4.1	Mast tilt, α = forward/β = back	5		5		4.1
	4.2	Height of mast, lowered h ₁ (mm)	5 406		6 901		4.2
	4.4	Lift height h ₃ (mm)	6 806		9 796		4.4
	4.5	Height of mast, extended h ₄ (mm)	9 295		12 285		4.5
	4.7	Cab height h ₆ (mm)	3 064		3 064		4.7
	4.8	Seat height h ₇ (mm)	1 791		1 791		4.8
	4.12	Towing coupling height h ₁₀ (mm)	684		684		4.12
	4.19	Overall length l ₁ (mm)	5 443		5 563		4.19
	4.20	Length to load face l ₂ (mm)	5 277		5 397		4.20
	4.21	Overall width b ₂ (mm)	2 617		3 187		4.21
	4.31	Ground clearance under mast, with load m ₁ (mm)	225		225		4.31
	4.32	Ground clearance, centre of wheelbase m ₂ (mm)	346		272		4.32
	4.33	Aisle width with 20' Container ◆ Ast (mm)	9 524		9 506		4.33
	4.34	Aisle width with 40' Container ◆ Ast (mm)	14 855		14 849		4.34
	4.35	Outer turning radius W _a (mm)	4 579		4 685		4.35
PERFORMANCE							
PERFORMANCE	5.1	Travel speed with/without load	25,9	27,5	25,9	27,5	5.1
	5.2	Lifting speed with/without load	0,42	0,62	0,42	0,62	5.2
	5.3	Lowering speed with/without load	0,47	0,45	0,47	0,46	5.3
	5.5	Drawbar pull with/without load N (at 1,5 km/h)	95 000	90 100	95 000	95 000	5.5
	5.7	Gradeability with/without load † % (at 1,5 km/h)	35	47	31	42	5.7
	5.10	Service brake	Hydraulic		Hydraulic		5.10
	ENGINE						
ENGINE	7.1	Engine manufacturer/type	Cummins	QSB 30	Cummins	QSB 30	7.1
	7.2	Engine output, in accordance with ISO 1585	116		116		7.2
	7.2.1	Engine torque	597	1 500	597	1 500	7.2.1
	7.3	Governed speed	2 300		2 300		7.3
	7.4	Number of cylinders/displacement	6	5 900	6	5 900	7.4
OTHER							
OTHER	8.1	Transmission	3-speed hydrodynamic		3-speed hydrodynamic		8.1
	8.2	Working pressure for attachments	165		165		8.2
	8.3	Oil flow for attachments	93,4		93,4		8.3
	8.4	Noise level (Npaz) inside the Hyster Vista cab (EN12053)	74		74		8.4
	8.4.1	Noise level (Lwaz) outside truck (2000/14/EC)	111		111		8.4.1
	8.5	Towing coupling type	Pin		Pin		8.5

Equipment and weight:

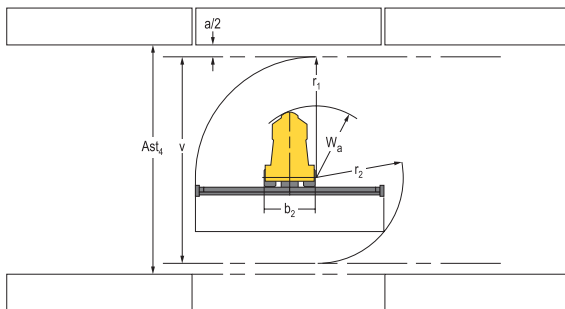
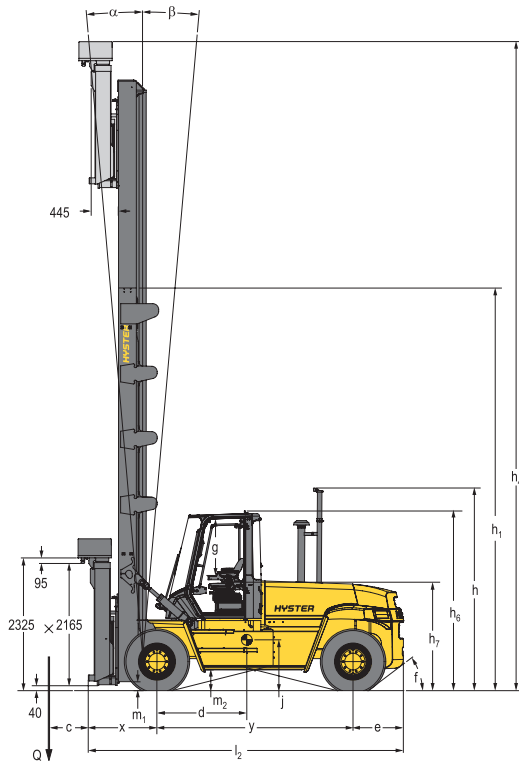
Weights (line 2.1) are based on the following specifications:

Complete truck with cab, pneumatic tyres, mast as specified and 20'-40' side lift empty container handling spreader.

Fuel tank capacity:

H10.00-12.00XM-12EC: 128 litres

Truck dimensions



NOTE:

Specifications are affected by the condition of the vehicle and how it is equipped, as well as the nature and condition of the operating area. If these specifications are critical, the proposed application should be discussed with your dealer.

- ◆ Including 10% operating clearance
- ▲ Standard, non-reefer container. For rating with reefer containers contact SPED.
- † Gradeability figures (line 5.7) are provided for comparison of tractive performance, but are not intended to endorse the operation of the vehicle on the stated inclines. Follow instructions in the operating manual operation on inclines.

All specifications and capacities quoted in the mast and capacity information tables are valid for trucks equipped with a Hyster empty container handling attachment and for handling ISO containers which are 8' wide and 8'-9'6" high.

 = Centre of gravity of unladen truck

r_1 = radius of swing of container rear corner

r_2 = radius of swing of container front corner

a = total operating clearance, $a/2$ is operating clearance at each side

W_a = outside turning radius of the truck

v = (theoretical) 90° stacking aisle width, no intrusive stacking

= r_2 + the larger of r_1 or W_a

Ast_4 = (practical) 90° stacking aisle, no intrusive stacking and with clearance

= $v + a = v + 10\%$

Model

H10.00XM - 12EC

H12.00XM - 12EC

Dimensions (mm)

d	1 283	1 278
e	848	968
f	44°	37°
g	1 135	1 135
h	3 463	3 463
j	1 265	1 481

Hyster®, **HYSTER**®, Vista® and Monotrol® are registered trademarks of Hyster Company in the United States and in certain other countries.

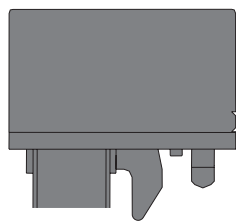


Fortens™, Pacesetter VSM™, DuraMatch™, DuraMatch Plus™, TouchPoint™, TouchControl™, EZXchange & HSM™ are trademarks of Hyster Company in the United States and in certain other countries. Hyster products are subject to change without notice. Lift trucks illustrated may feature optional equipment.

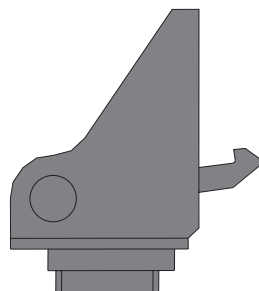


This truck conforms to the current EU requirements.

Spreader options



Vertical twistlocks



Suspended hooks

'3-Colour, 4-lights' container spreader indicator lights are provided (not applicable to 'Suspended Hooks' engagement system) and signal engagement as follows: Left-hand amber light indicates "landed"; green light indicates "locked"; red light indicates "unlocked" and the right-hand amber light indicates "landed".

Two sets of indicator lights are fitted: One set of 4 lights on the left-hand side of the spreader, plus one set of 4 lights in the cab (plus a blue light for the lift interrupt function).

Mechanical interlock (not applicable to 'Suspended Hooks' engagement system) mechanically locks the twistlocks unless the landing pins are properly pushed in.

Lift interrupt (Not applicable to 'Suspended Hooks' engagement system) interrupts the lift mode if the twistlocks are not in a fully locked/unlocked position.

Alternative controls are available as options: Hyster Monotrol pedal, instead of a forward/reverse directional lever and Joystick control for the hydraulic function instead of levers.

A full light kit is fitted, consisting of:

4 front work lights, 2 front head lights, 2 front side lights, 2 rear work/drive lights, 2 combination tail-, stop- and back-up lights, 4 indicators with hazard switch and 2 wide-beam work lights on the Hyster spreader.

Engine & transmission protection system H10.00XM-12.00XM-12EC

The new Vista cab features a side-mounted dash display with gauges, which work in conjunction with the Engine and Transmission Protection system, as detailed in the table below:

	Dash display warning lights	Dash display dial	Master steer pod warning light	Intermittent audible warning	Engine shut-down
Park brake	×			×	
Fasten seat belt	×				
Low engine oil pressure	0,41 bar	×	×	×	×
High engine coolant temperature	104°C	×	×	×	×
Low engine coolant level			×		
Fuel system water separator	×				
Engine filter restricted	×				
Glowplug (cylinder heaters) on	×				
Battery charge (alternator)	×				
Low fuel level	10%	×	×		
Hydraulic brake system low pressure	○ 89,6 bar		○ ×		
Hydraulic brake high oil temperature	○ 110°C		○ ×		
Transmission low oil pressure	10,0 bar	×	×	×	
Transmission high oil temperature	120°C	×	×	×	
Transmission autoshift error		× (LCD)	○ ×		
Engine hour meter	○ ×	× (LCD)			
Engine shut down warning			×	×	×

○ Note: Only functions with optional feature

× Note: Fitted to all truck models

Mast and capacity information

Vista masts H10.00XM-12EC

	Stacking height/ container height	Recommended mast lift height/ attachment lift mm	Overall lowered height mm	Maximum under twistlocks/hooks mm	Capacity in kg at 1 220 mm load centre	Sideshift +/- mm
Vista 3 high	8'6"	6 920	5 295	9 155	6 000 ▲	600
	9'	6 920	5 295	9 155	6 000 ▲	600
	9'6"	6 920	5 295	9 155	6 000 ▲	600

Vista masts H12.00XM-12EC

	Stacking height/ container height	Recommended mast lift height/ attachment lift mm	Overall lowered height mm	Maximum under twistlocks/hooks mm	Capacity in kg at 1 220 mm load centre	Sideshift +/- mm
Vista 3 high	8'6"	6 920	5 295	9 155	7 000 ▲	250
	9'	6 920	5 295	9 155	7 000 ▲	250
	9'6"	6 920	5 295	9 155	7 000 ▲	250
Vista 4 high	8'6"	9 910	6 790	12 145	7 000 ▲	250
	9'	9 910	6 790	12 145	7 000 ▲	250
	9'6"	9 910	6 790	12 145	7 000 ▲	250



Popular options

- Engine pre-heater
- Electrically powered cab tilt
- Radial tyres
- Air conditioning
- Diesel cab heater
- Open operator's station
- Air suspended seat
- Second seat for training
- Monotrol® drive control
- Joystick hydraulic control
- 24V-12V DC-DC convertor
- Application specific spreader
- Hydraulic accumulator
- Back-up alarm or self-adjustable back-up alarm
- Exhaust purifier or spark arrestor
- Automatic greasing
- Load weight indicator
- Special RAL colours

Highlifts

The rated capacities shown are for trucks equipped with dedicated 20'-40' telescopic empty container attachment and specified masts. Masts above these lift heights are classified as high lift and, depending on the tyre/tread configuration, may require reduced capacity, restricted back tilt or wide tread.

Warning

Care must be exercised when handling elevated loads. When the load is elevated, truck stability is reduced. It is important that mast tilt in either direction be kept to the minimum when loads are elevated. Operators must be trained and adhere to instructions contained in the Operating Manual.



Hyster Europe, Flagship House, Reading Road North, Fleet, Hants GU51 4WD, England
<http://www.hyster.co.uk>

For information, tel: +31 24 374 2555

01/06/TLC Printed in England Form No. 871369/2

A division of NACCO Materials Handling Limited.

